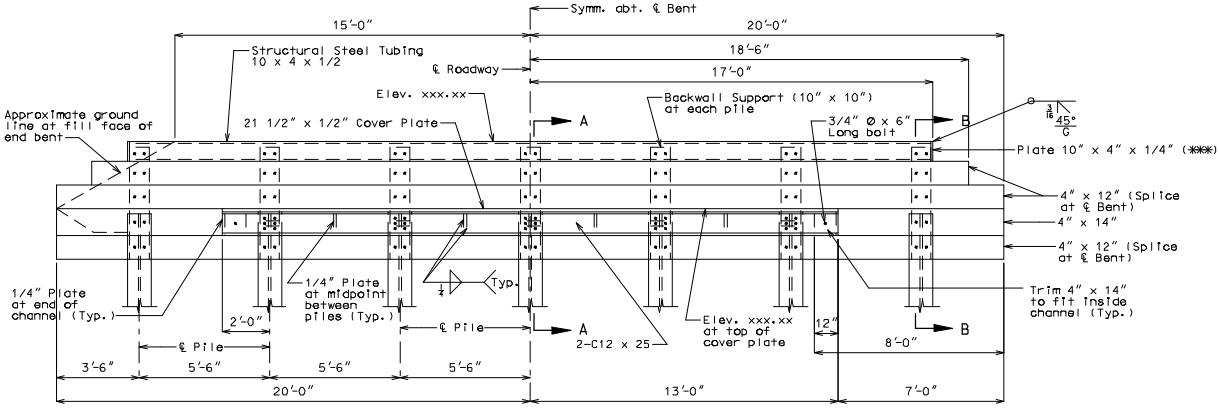
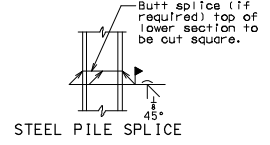


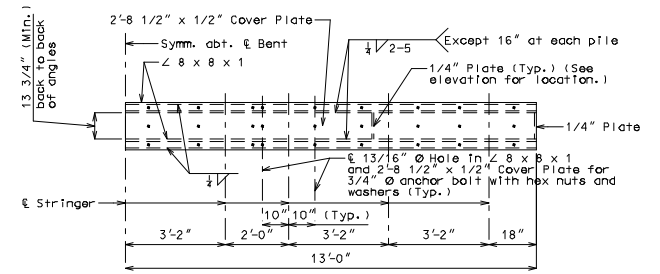
ROUTE	STATE	DISTRICT	SHEET NO.
	MO		
JOB NO.			
CONTRACT ID			
PROJECT NO.			
COUNTY			DATE



ELEVATION

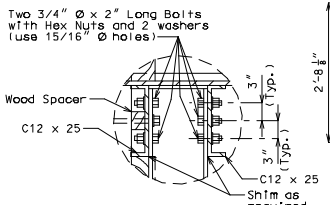


STEEL PILE SPLICE



HALF PLAN OF INT. BENT CAP (Bearing plates and piles not shown)

DETAILS OF INT. BENTS NO. 2, 3, & 4



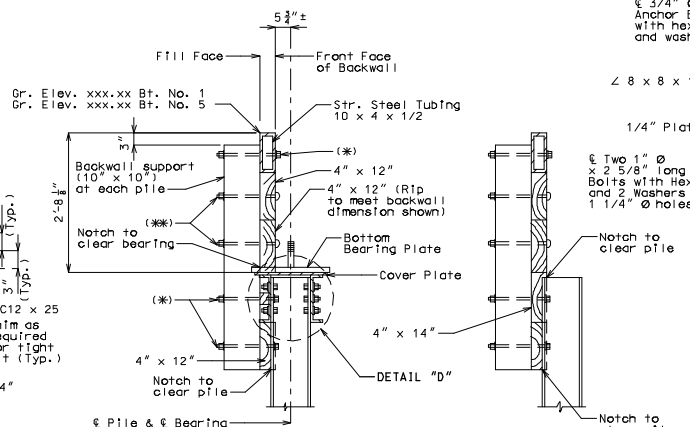
DETAIL "D"

Two 3/4" Ø x 2" Long Bolts with Hex Nuts and 2 washers (use 15/16" Ø holes)

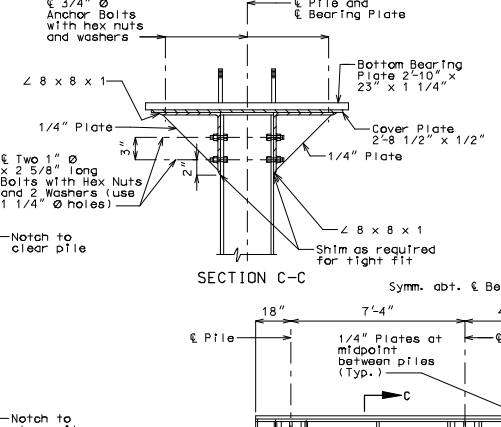
Wood Spacer  
C12 x 25  
Shim as required for tight fit (Typ.)

(\*) Two 3/4" Ø x 15" Long Bolts with Hex Nuts and 2 washers. 3/4" Ø A307 bolts are acceptable at this location.

(\*\*) Two 3/4" Ø x 15" Long round Bolts with Hex Nuts and washers. 3/4" Ø A307 bolts are acceptable at this location.

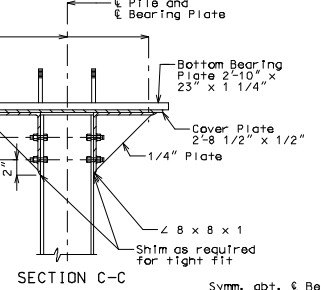


SECTION A-A

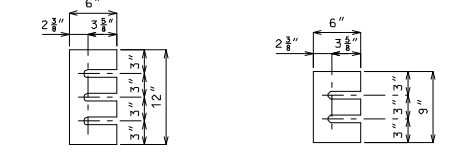


SECTION B-B

Sections A-A and B-B are same except as shown.

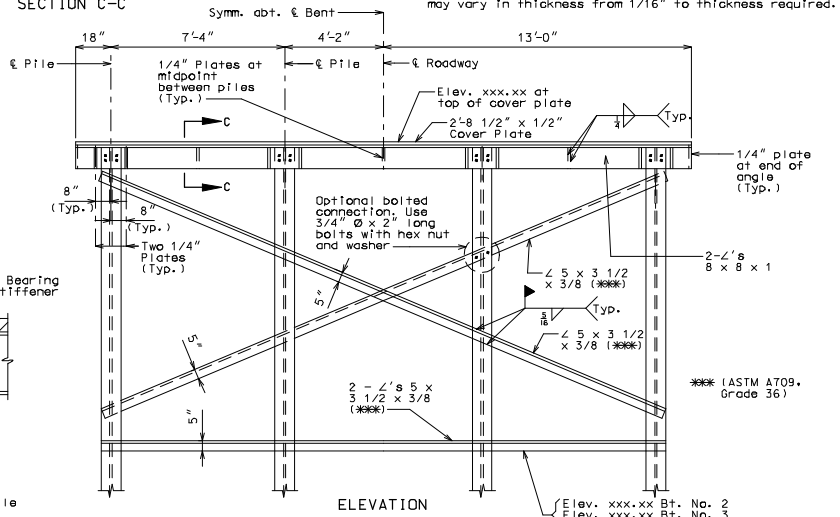


SECTION C-C

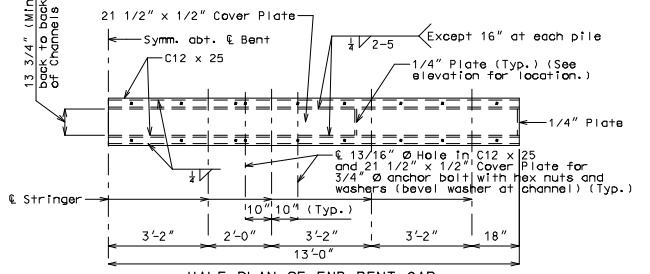


DETAIL OF SHIM PLATES (END BENTS)

Shim plates may be used between pile and channel at the end bents or angle at the intermediate bents. Shim plates may vary in thickness from 1/16" to thickness required.

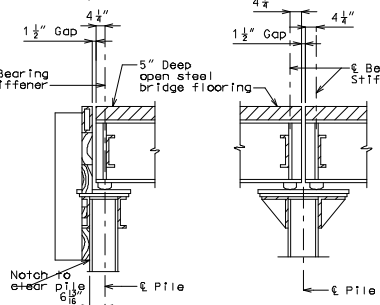


ELEVATION

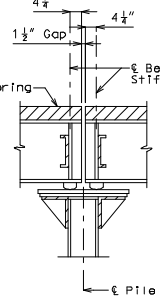


HALF PLAN OF END BENT CAP (Bearing plates and piles not shown)

DETAILS OF END BENTS NO. 1 & 5



TYPICAL SECTION NEAR END BENT



TYPICAL SECTION NEAR INT. BENT

Detailed Checked

Note: This drawing is not to scale. Follow dimensions.

Sheet No. of