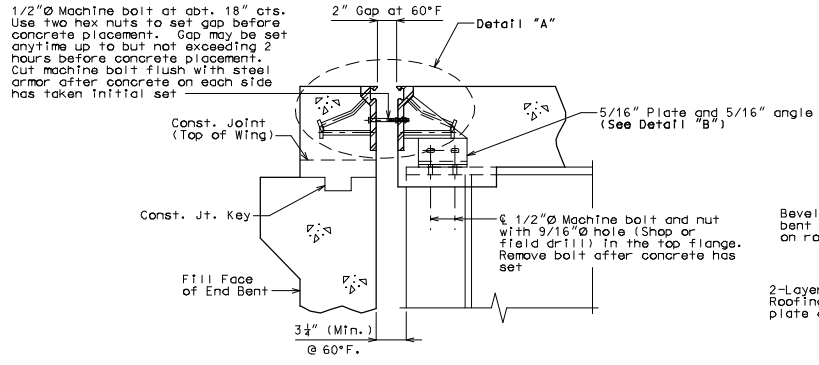
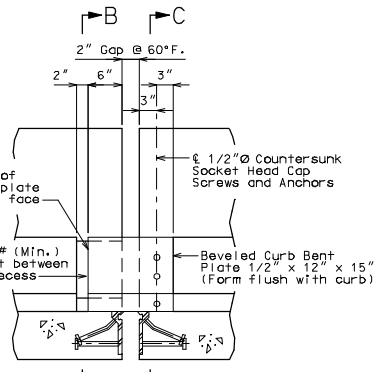


ROUTE	STATE	DISTRICT	SHEET NO.
*	MO	BR	*
JOB NO. *			
CONTRACT ID.			
PROJECT NO.			
COUNTY *			
			DATE

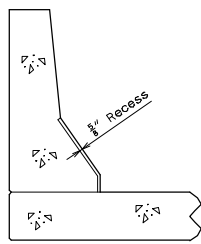
"THIS MEDIA SHOULD NOT BE CONSIDERED A CERTIFIED DOCUMENT."



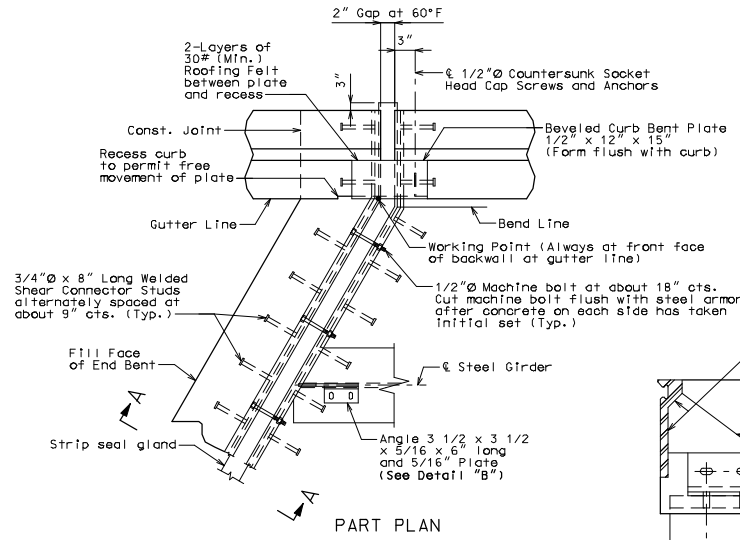
Note: Strip seal gland not shown for clarity.  
SECTION A-A



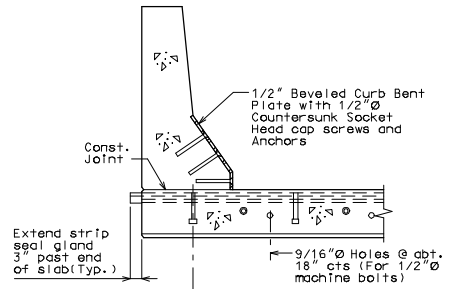
Note: Strip seal gland not shown for clarity.  
PART ELEVATION OF BARRIER CURB



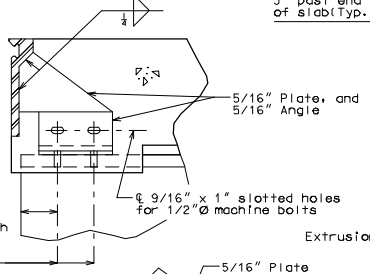
PART SECTION B-B



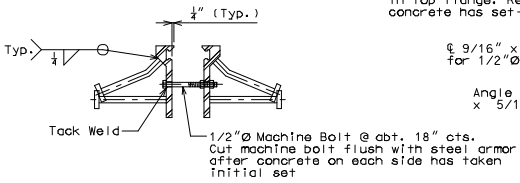
PART PLAN



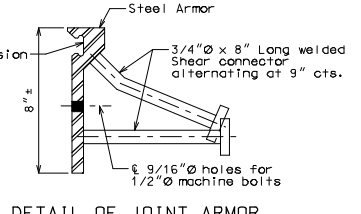
PART SECTION C-C



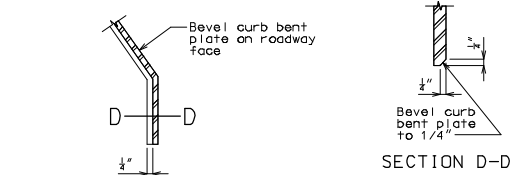
DETAIL "B"



DETAIL "A"

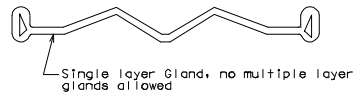


DETAIL OF JOINT ARMOR



SECTION D-D

PART ELEVATION AT END OF BEVELED CURB BENT PLATE



DETAIL OF GLAND

DETAILS OF STRIP SEAL AT END BENT NO.

Detailed Checked

Note: This drawing is not to scale. Follow dimensions.

Sheet No. of

STS03

IF A SEAL IS PRESENT ON THIS SHEET IT HAS BEEN ELECTRONICALLY SEALED AND DATED.