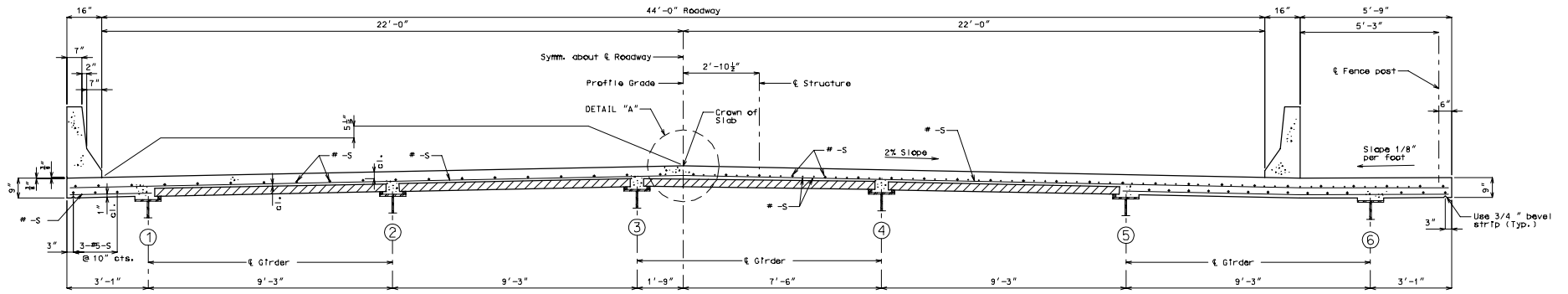
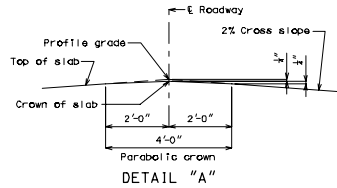


HALF SECTION NEAR ϵ SPAN

HALF SECTION NEAR INTERMEDIATE BENT

40'-0" ROADWAY - 6 GIRDER



HALF SECTION NEAR ϵ SPAN

HALF SECTION NEAR INTERMEDIATE BENT

44'-0" ROADWAY - 6 GIRDER