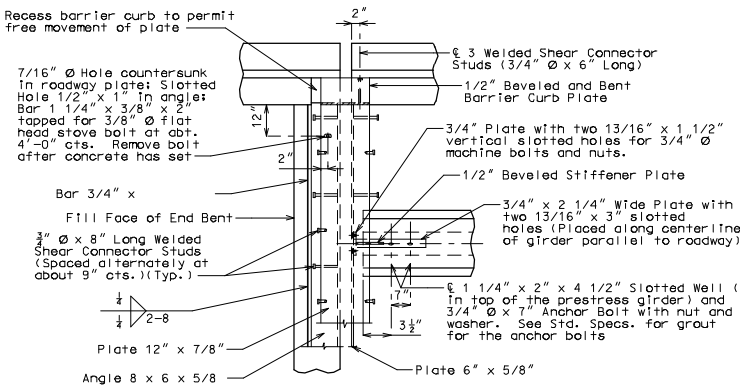


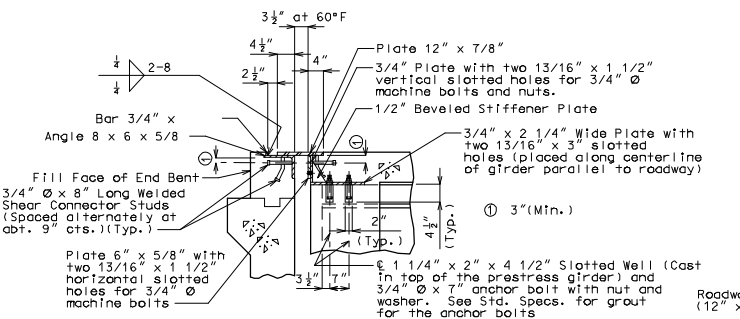
ROUTE	STATE	DISTRICT	SHEET NO.
	MO		
JOB NO.			
CONTRACT ID.			
PROJECT NO.			
COUNTY			
			DATE

"THIS MEDIA SHOULD NOT BE CONSIDERED A CERTIFIED DOCUMENT."  
DATE

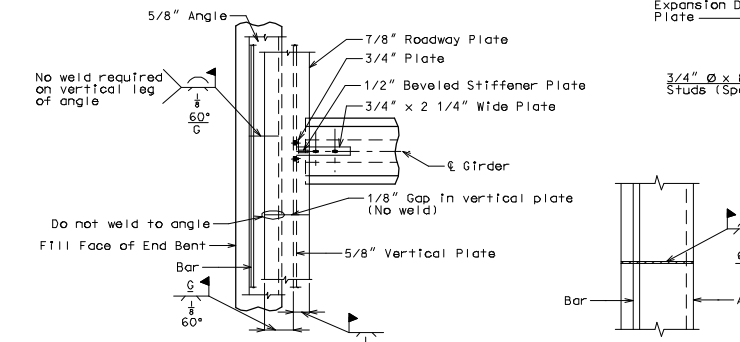


PART PLAN

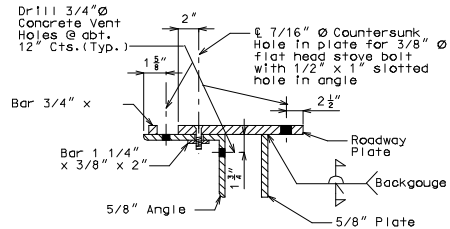
Note: Concrete vent holes not shown for clarity.



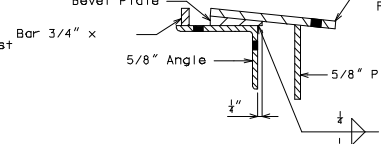
PART SECTION AT END BENT



PERMISSIBLE FIELD SPLICE AT END BENT

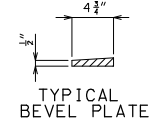


PART SECTION (TYPICAL)

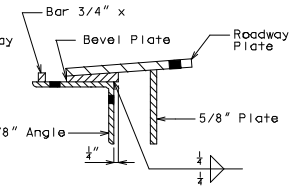


PART SECTION THRU BEVEL PLATE

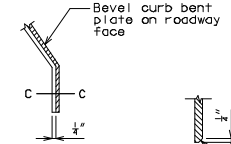
Note: Bevel plates shall be used at end bents when the grade of the slab at expansion device is 3% or more.



TYPICAL BEVEL PLATE

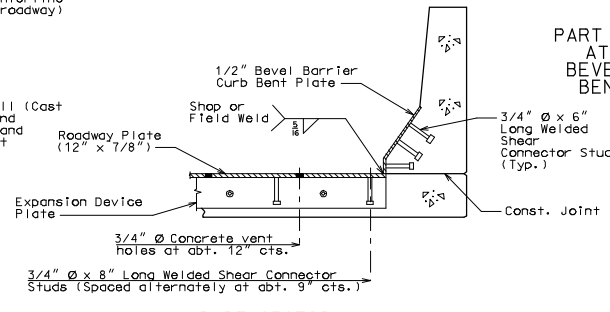


PART SECTION THRU BEVEL PLATE

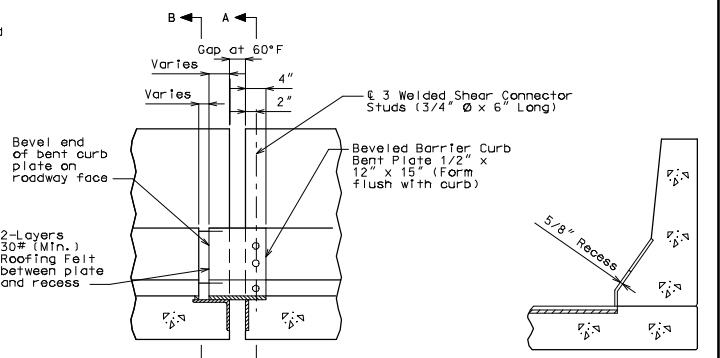


PART ELEVATION AT END OF BEVELED CURB BENT PLATE

SECTION C-C

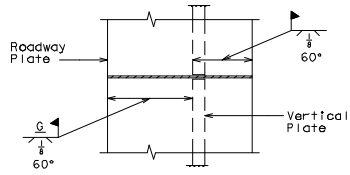


PART SECTION A-A



ELEVATION OF BARRIER CURB

PART SECTION B-B



PART PLAN ROADWAY PLATE AND VERTICAL PLATE

DETAILS OF FLAT PLATE EXPANSION DEVICE AT END BENT NO.

Note: This drawing is not to scale. Follow dimensions.

Sheet No. of