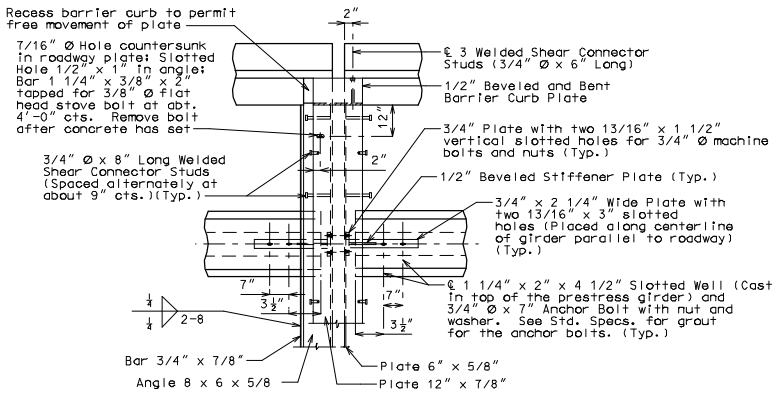


ROUTE	STATE	DISTRICT	SHEET NO.
	MO		
JOB NO.			
CONTRACT ID.			
PROJECT NO.			
COUNTY			DATE

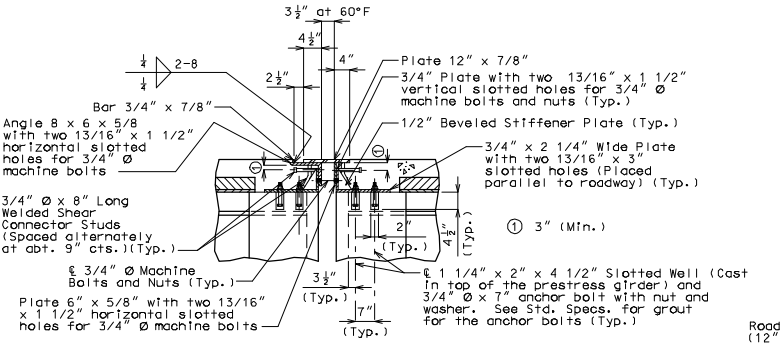
"THIS MEDIA SHOULD NOT BE CONSIDERED A CERTIFIED DOCUMENT."

IF A SEAL IS PRESENT ON THIS SHEET IT HAS BEEN ELECTRONICALLY SEALED AND DATED.

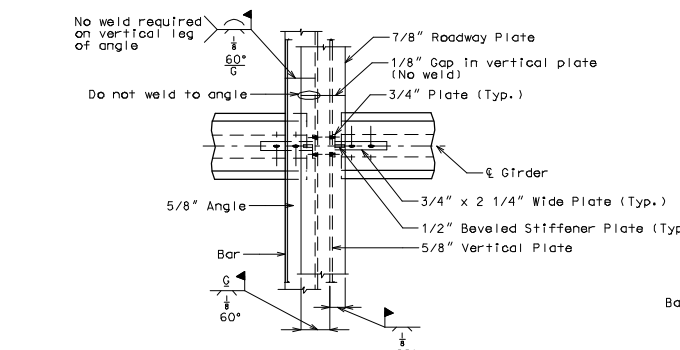


PART PLAN

Note: Concrete vent holes not shown for clarity.



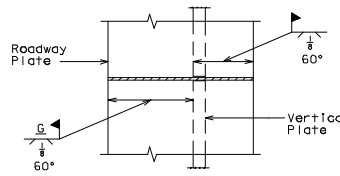
PART SECTION AT INTERMEDIATE BENT



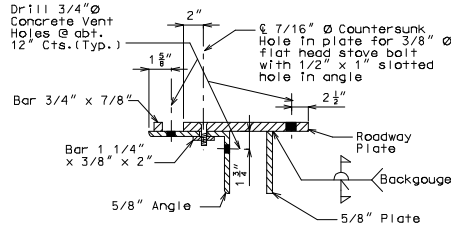
PERMISSIBLE FIELD SPLICE AT INT. BENT



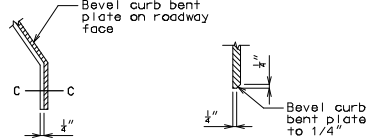
PART PLAN OF ANGLE AND BAR



PART PLAN ROADWAY PLATE AND VERTICAL PLATE

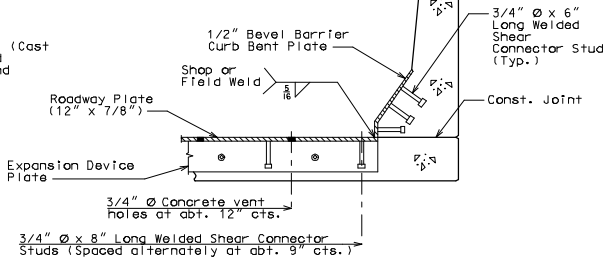


PART SECTION (TYPICAL)

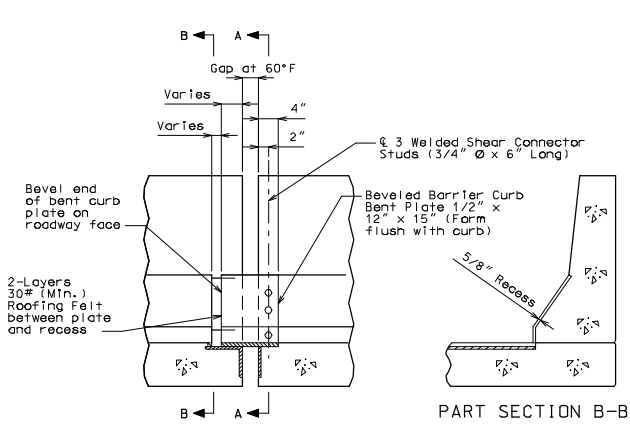


PART ELEVATION AT END OF BEVELED CURB BENT PLATE

SECTION C-C



PART SECTION A-A



ELEVATION OF BARRIER CURB

PART SECTION B-B

DETAILS OF FLAT PLATE EXPANSION DEVICE AT END BENT NO.

Detailed Checked

Note: This drawing is not to scale. Follow dimensions.

Sheet No. of

FPE 22