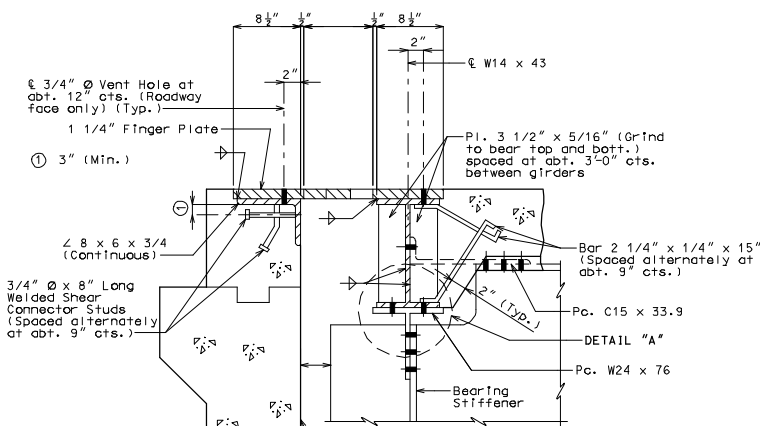


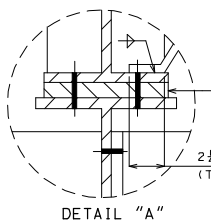
ROUTE	STATE	DISTRICT	SHEET NO.
	MO		
JOB NO.			
CONTRACT ID.			
PROJECT NO.			
COUNTY			
			DATE

"THIS MEDIA SHOULD NOT BE CONSIDERED A CERTIFIED DOCUMENT."

IF A SEAL IS PRESENT ON THIS SHEET IT HAS BEEN ELECTRONICALLY SEALED AND DATED.

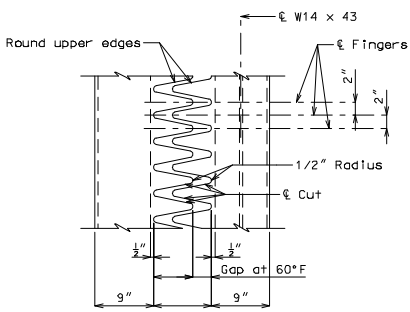


PART SECTION THRU EXPANSION DEVICE

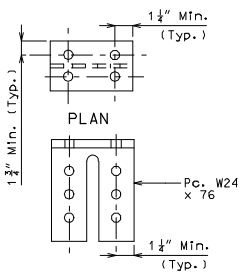


DETAIL "A"

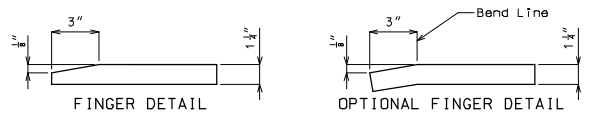
Note: Concrete shall be forced under and around finger plate supporting hardware, anchors, angles and bars. Proper consolidation shall be achieved by localized internal vibration.



TYPICAL PLAN OF PLATE

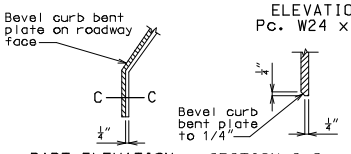


ELEVATION Pc. W24 x 76



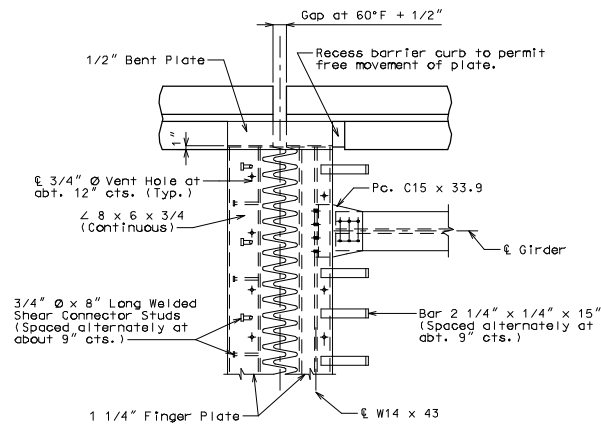
FINGER DETAIL

OPTIONAL FINGER DETAIL

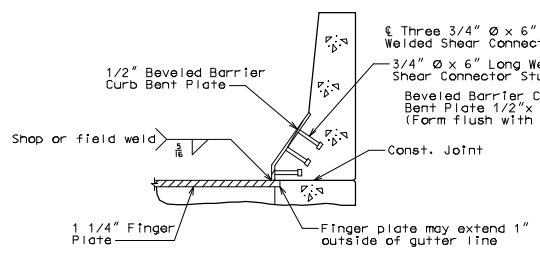


PART ELEVATION AT END OF BEVELED CURB BENT PLATE

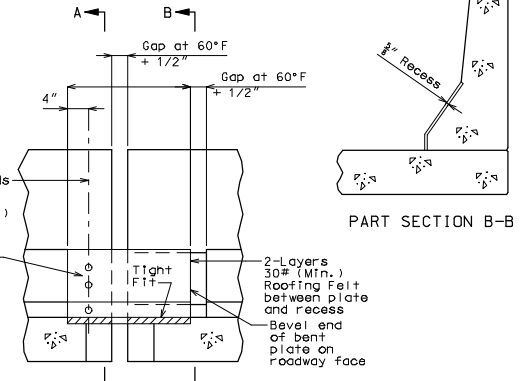
SECTION C-C



PART PLAN OF EXPANSION DEVICE



PART SECTION A-A



ELEVATION OF BARRIER CURB

PART SECTION B-B

DETAILS OF FINGER PLATE EXPANSION DEVICE AT END BENT NO.

Detailed Checked

Note: This drawing is not to scale. Follow dimensions.

Sheet No. of