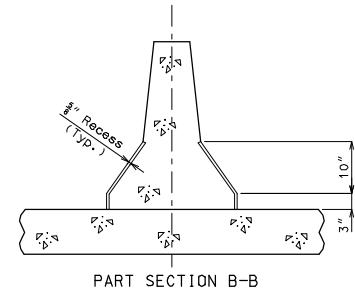
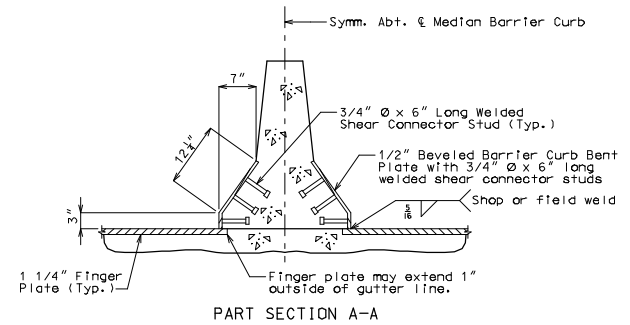
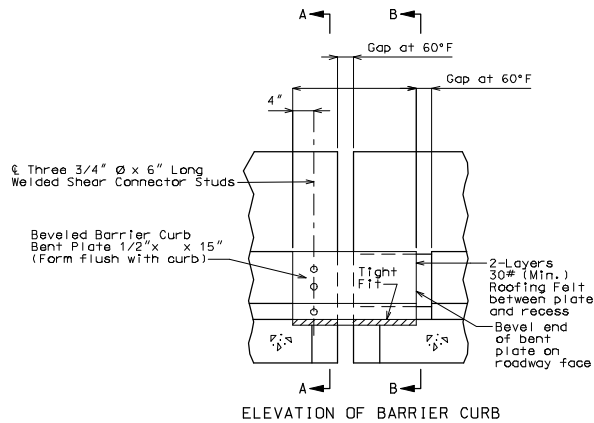
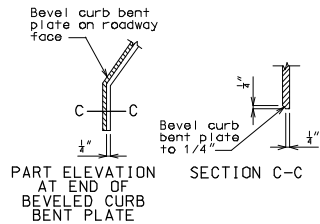


ROUTE	STATE	DISTRICT	SHEET NO.
	MO		
JOB NO.			
CONTRACT ID			
PROJECT NO.			
COUNTY			DATE



DETAILS OF FINGER PLATE EXPANSION DEVICE AT MEDIAN

Detailed  
Checked

Note: This drawing is not to scale. Follow dimensions.

Sheet No. of

FIN 21