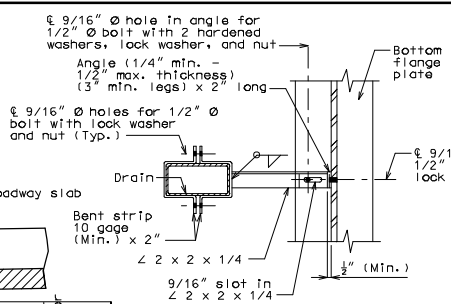
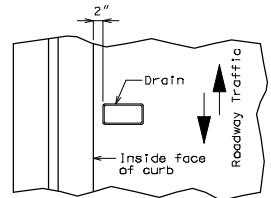


PART SECTION NEAR DRAIN

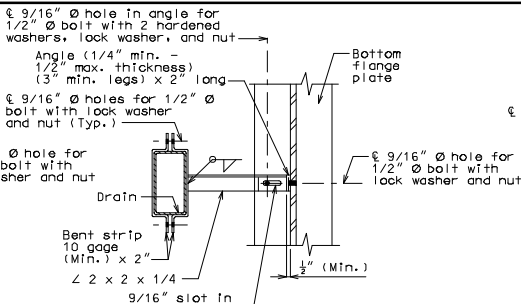


PART SECTION SHOWING BRACKET ASSEMBLY

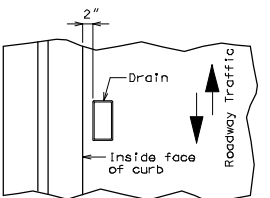


PART PLAN OF SLAB AT DRAIN

DETAILS OF DRAINS TRANSVERSE TO ROADWAY



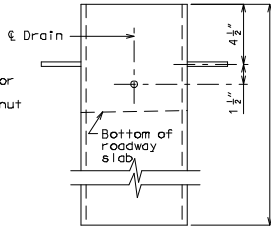
PART SECTION SHOWING BRACKET ASSEMBLY



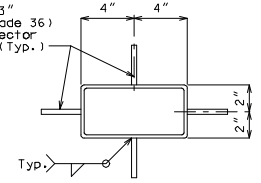
PART PLAN OF SLAB AT DRAIN

DETAILS OF DRAINS PARALLEL TO ROADWAY

SLAB DRAIN DETAILS



ELEVATION OF DRAIN



PLAN OF DRAIN

Rod 1/2" Ø x 3" (ASTM A709 Grade 36) or shear connector 1/2" Ø x 3" ± (Typ.)

ROUTE	STATE	DISTRICT	SHEET NO.
	MO		
JOB NO.			
CONTRACT ID			
PROJECT NO.			
COUNTY			DATE

Notes:

Slab drains may be fabricated of either 1/4" welded sheets of ASTM A709 Grade 36 steel or from 1/4" structural steel tubing ASTM A500 or A501.

Slab drain bracket assembly shall be ASTM A709 Grade 36 steel.

Outside dimensions of drains are 8" x 4".

Locate drains in slab by dimensions shown in Part Section Near Drain.

Shift reinforcing steel in field where necessary to clear drains.

The drains and bracket assembly shall be galvanized in accordance with ASTM A123.

All bolts, hardened washers, lock washers and nuts shall be galvanized in accordance with ASTM A153.

Shop drawings will not be required for the slab drains and the bracket assembly.

The bolt hole for the bracket assembly attachment shall be located on the plate girder shop drawings.

NOTE TO DETAILER: REMOVE DETAILS THAT DO NOT APPLY.

Detailed Checked

Note: This drawing is not to scale. Follow dimensions.

Sheet No. of