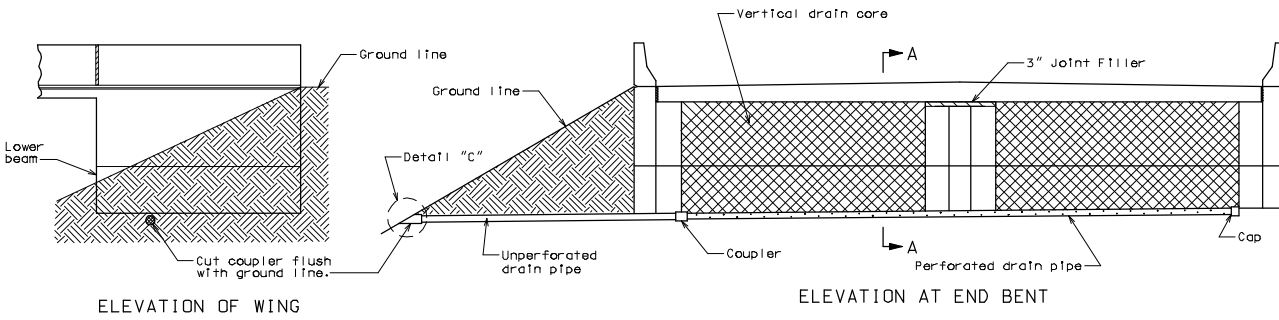
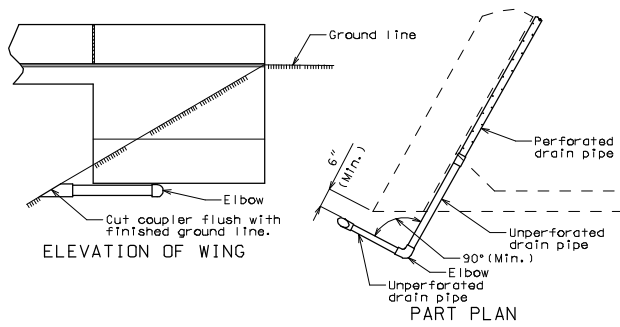


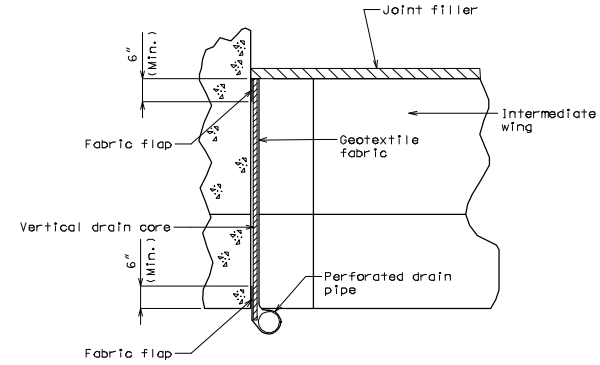
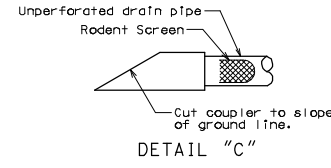
ROUTE	STATE	DISTRICT	SHEET NO.
	MO		
JOB NO.			
CONTRACT ID			
PROJECT NO.			
COUNTY	DATE		



Note:  
 Drain pipe may be either 6" diameter corrugated metallic-coated steel pipe underdrain, 4" diameter corrugated polyvinyl chloride (PVC) drain pipe, or 4" diameter corrugated polyethylene (PE) drain pipe.  
 Place drain pipe at fill face of end bent and slope to lowest grade of ground line, also missing the lower beam of end bent by 1 1/2". (See elevation at end bent.)  
 Perforated pipe shall be placed at fill face side at the bottom of end bent and plain pipe shall be used where the vertical drain ends to the exit at ground line.



**OPTIONAL BENT DRAIN (\*)**  
 (\*) Only if rock is encountered at outside of wing.



Note to Detailer: Remove details that do not apply.

**VERTICAL DRAIN AT END BENTS**