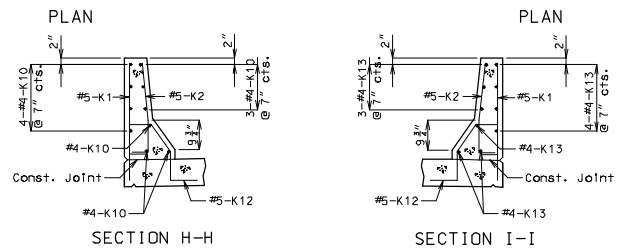
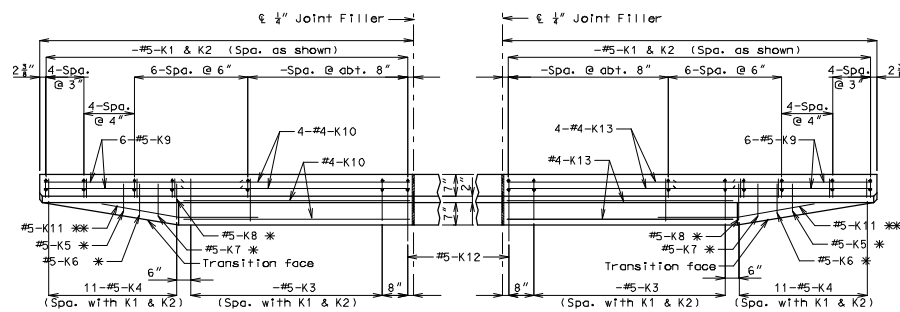
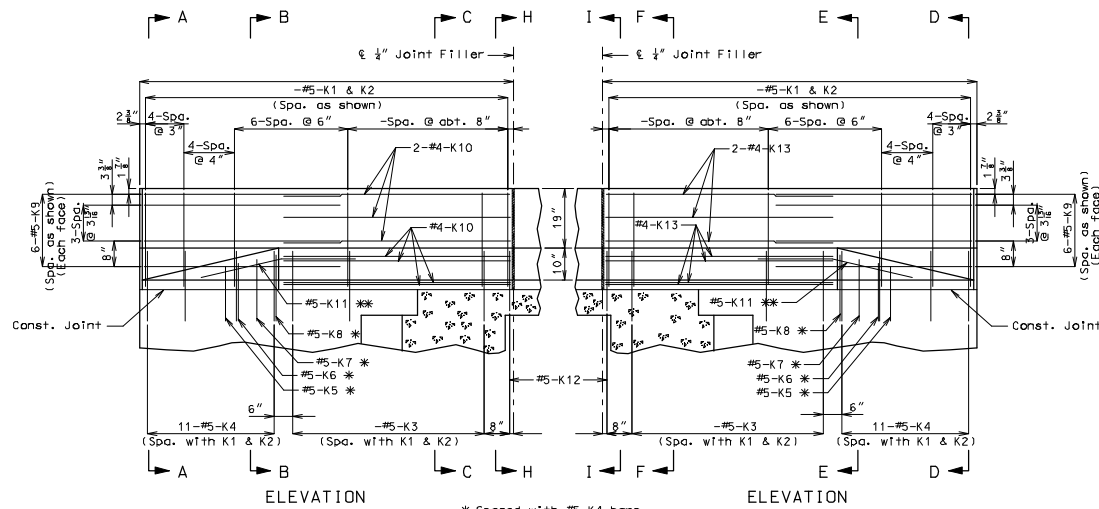
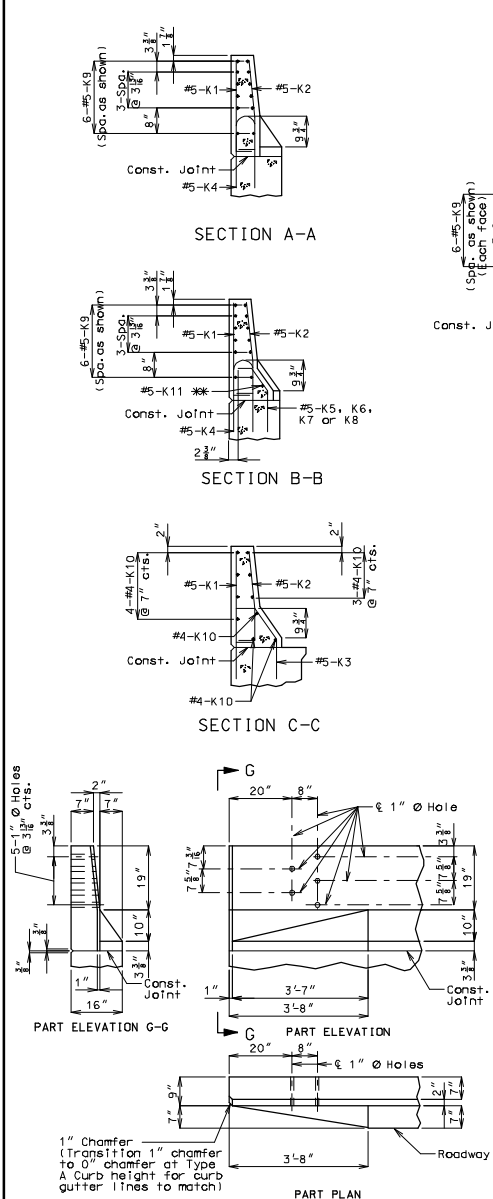
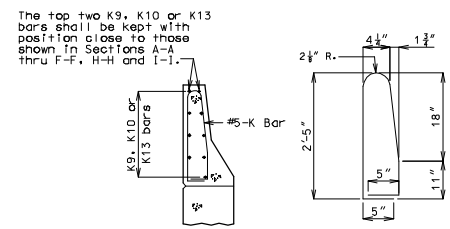
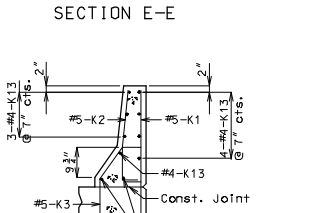
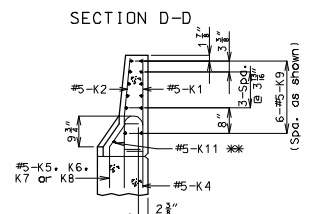
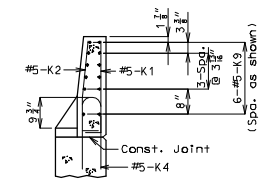


ROUTE	STATE	DISTRICT	SHEET NO.
	MO		
JOB NO.			
CONTRACT ID			
PROJECT NO.			
COUNTY			DATE



NOTES: Use a minimum lap of 2'-0" between K9 and K10 or K13 bars.
 Concrete traffic barrier delineators shall be placed on top of the safety barrier curb as shown on Missouri Standard Plans 617, 10 and in accordance with Sec 617. Concrete traffic barrier delineators will be considered completely covered by the contract unit price for "Safety Barrier Curb".

DETAILS OF SAFETY BARRIER CURB AT END BENTS
 (Left barrier curb shown; right barrier curb similar)



(K3 or K4 thru K8 bars not shown for clarity)

K1-K2 BAR PERMISSIBLE ALTERNATE SHAPE (*)**

(***) The K1 and K2 bar combination may be furnished as one bar as shown, at the contractor's option.

Detailed Checked

Note: This drawing is not to scale. Follow dimensions.

Sheet No. of

BAN 4A